

## ASC - 001

## ALUMINUM PANS & LIDS



| MODEL NO  | STYLE NO     | SIZE (cm)<br>L x W x H | QTY / CTN  | PRICE PER CTN |         |
|-----------|--------------|------------------------|------------|---------------|---------|
|           |              |                        |            | 20.CTN        | 200.CTN |
| ASC - 001 | PHOTO SAMPLE |                        | 500 ~ 1000 |               |         |

## ASC - 002

## ALUMINUM PANS & LIDS



| MODEL NO  | STYLE NO     | SIZE (cm)<br>L x W x H | QTY / CTN  | PRICE PER CTN |         |
|-----------|--------------|------------------------|------------|---------------|---------|
|           |              |                        |            | 20.CTN        | 200.CTN |
| ASC - 002 | PHOTO SAMPLE |                        | 500 ~ 1000 |               |         |

## ASC - 003

## ALUMINUM PANS & LIDS



| MODEL NO  | STYLE NO     | SIZE (mm)<br>L x W x H | QTY / CTN  | PRICE PER CTN |         |
|-----------|--------------|------------------------|------------|---------------|---------|
|           |              |                        |            | 20.CTN        | 200.CTN |
| ASC - 003 | PHOTO SAMPLE |                        | 500 ~ 1000 |               |         |

# ASC - 004

# ALUMINUM PANS & LIDS



| MODEL NO  | STYLE NO     | SIZE ( mm )<br>L x W x H | QTY / CTN  | PRICE PER CTN |         |
|-----------|--------------|--------------------------|------------|---------------|---------|
|           |              |                          |            | 20.CTN        | 200.CTN |
| ASC - 004 | PHOTO SAMPLE |                          | 200 ~ 1000 |               |         |

# ASC - 005

# ALUMINUM PANS



| MODEL NO  | STYLE NO     | SIZE ( mm )<br>L x W x H | QTY / CTN  | PRICE PER CTN |         |
|-----------|--------------|--------------------------|------------|---------------|---------|
|           |              |                          |            | 20.CTN        | 200.CTN |
| ASC - 005 | PHOTO SAMPLE |                          | 500 ~ 1000 |               |         |

# ASC - 006

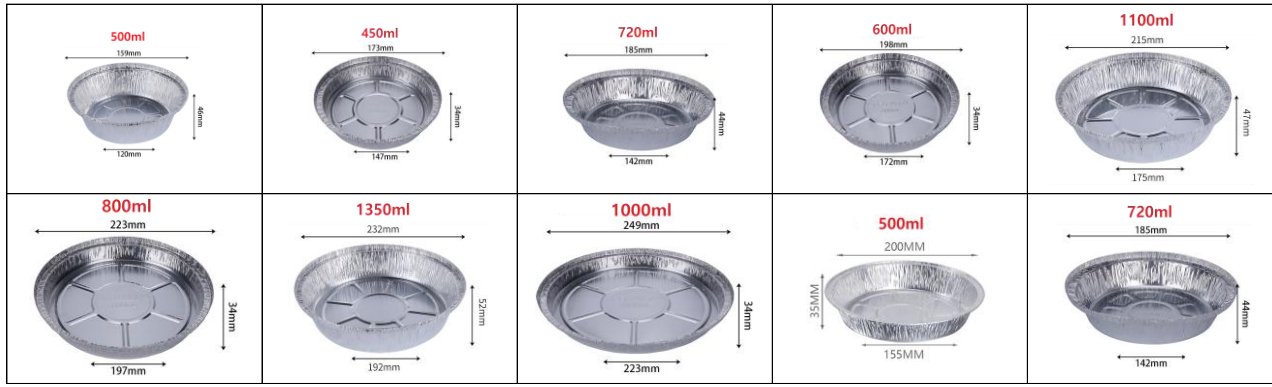
# ALUMINUM PANS



| MODEL NO  | STYLE NO     | SIZE ( cm )<br>L x W x H | QTY / CTN  | PRICE PER CTN |         |
|-----------|--------------|--------------------------|------------|---------------|---------|
|           |              |                          |            | 20.CTN        | 200.CTN |
| ASC - 006 | PHOTO SAMPLE |                          | 500 ~ 1000 |               |         |

## ASC - 007

## ALUMINUM PANS



| MODEL NO  | STYLE NO     | SIZE ( mm )<br>L x W x H | QTY / CTN  | PRICE PER CTN |         |
|-----------|--------------|--------------------------|------------|---------------|---------|
|           |              |                          |            | 20.CTN        | 200.CTN |
| ASC - 007 | PHOTO SAMPLE |                          | 500 ~ 1000 |               |         |

## ASC - 008

## ALUMINUM PANS & LIDS



| MODEL NO  | STYLE NO     | SIZE ( mm )<br>L x W x H | QTY / CTN  | PRICE PER CTN |         |
|-----------|--------------|--------------------------|------------|---------------|---------|
|           |              |                          |            | 20.CTN        | 200.CTN |
| ASC - 008 | PHOTO SAMPLE |                          | 500 ~ 1000 |               |         |

## ASC - 009

## ALUMINUM PANS ( DESSERTS )



| MODEL NO  | STYLE NO     | SIZE ( mm )<br>L x W x H | QTY / CTN   | PRICE PER CTN |         |
|-----------|--------------|--------------------------|-------------|---------------|---------|
|           |              |                          |             | 20.CTN        | 200.CTN |
| ASC - 009 | PHOTO SAMPLE |                          | 1500 ~ 2000 |               |         |

**ASC - 010**

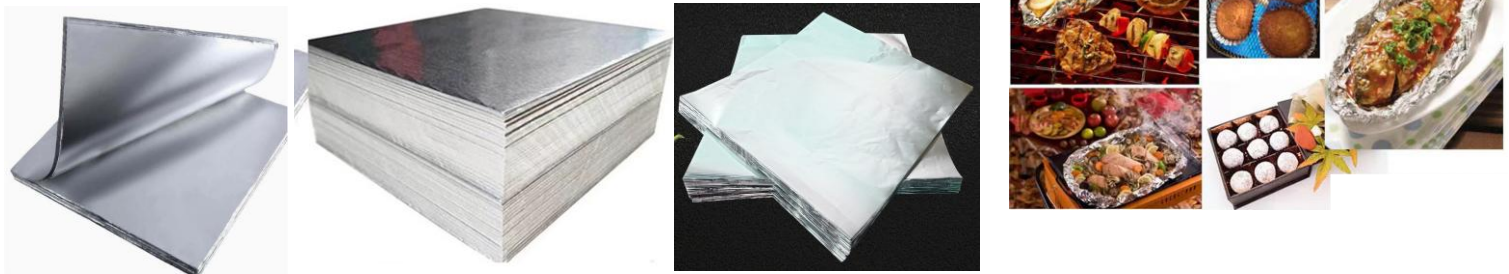
**ALUMINUM FOIL**



| MODEL NO  | THICKNESS<br>(micrometer) | SIZE   |           | QTY<br>/CTN | PRICE PER CTN |         |
|-----------|---------------------------|--------|-----------|-------------|---------------|---------|
|           |                           | W (cm) | L (meter) |             | 50.CTN        | 500.CTN |
| ASC - 010 | 10                        | 30     | 5 ~ 300   | 20 ~ 60     |               |         |
|           | 15                        | 30     | 5 ~ 300   | 20 ~ 60     |               |         |
|           | 18                        | 38     | 5 ~ 300   | 20 ~ 60     |               |         |
|           |                           | 45     | 5 ~ 300   | 20 ~ 60     |               |         |
|           | 20                        | 30     | 5 ~ 200   | 20 ~ 60     |               |         |
|           |                           | 38     | 5 ~ 200   | 20 ~ 60     |               |         |
|           |                           | 45     | 5 ~ 200   | 20 ~ 60     |               |         |
|           | 22                        | 38     | 5 ~ 100   | 20 ~ 60     |               |         |
|           |                           | 45     | 5 ~ 100   | 20 ~ 60     |               |         |
| 30        | 50                        | 5 ~ 50 | 20 ~ 60   |             |               |         |

**ASC - 011**

**ALUMINUM FOIL**



| MODEL NO  | THICKNESS<br>(micrometer) | SIZE (cm)<br>W x L   | QTY<br>/CTN | PRICE PER CTN |         |
|-----------|---------------------------|--|-------------|---------------|---------|
|           |                           |  |             | 50.CTN        | 500.CTN |
| ASC - 011 | 10                        | 20 x 20 / 30 x 20<br>30 x 30 / 35 x 35<br>38 x 38 / 45 x 45<br>50 x 50 / 50 x 65 | 20<br>~ 100 |               |         |
|           | 15                        |  |             |               |         |
|           | 18                        |  |             |               |         |
|           | 20                        |  |             |               |         |
|           | 22                        |  |             |               |         |
|           | 30                        |  |             |               |         |

# ASC - 012

## STAINLESS PANS & LIDS



| MODEL NO  | STYLE NO     | SIZE (cm)<br>L x W x H | QTY / CTN | PRICE PER CTN |         |
|-----------|--------------|------------------------|-----------|---------------|---------|
|           |              |                        |           | 20.CTN        | 200.CTN |
| ASC - 012 | PHOTO SAMPLE |                        | 40 ~ 80   |               |         |

# ASC - 013

## STAINLESS PANS

| ITEM  | ( cm ) |      | H ( cm ) |     |
|-------|--------|------|----------|-----|
|       | W      | L    | A        | B   |
| 27×20 | 26.5   | 19.5 | 1.8      | 4.8 |
| 32×22 | 31.5   | 21.5 | 2        | 4.8 |
| 36×27 | 35.5   | 26.5 | 2        | 4.8 |
| 40×30 | 39.5   | 29.5 | 2        | 4.8 |
| 45×35 | 44.5   | 34.5 | 2        | 4.8 |
| 50×35 | 49.5   | 34.5 | 2        | 4.8 |
| 60×40 | 59.5   | 39.5 | 2        | 4.8 |



| MODEL NO  | STYLE NO     | SIZE (cm)<br>L x W x H | QTY / CTN | PRICE PER CTN |         |
|-----------|--------------|------------------------|-----------|---------------|---------|
|           |              |                        |           | 20.CTN        | 200.CTN |
| ASC - 013 | PHOTO SAMPLE |                        | 50 ~ 100  |               |         |

**ASC - 014 A** STAINLESS PANS & LIDS

| ITEM      | W x L     | H     | Liter |
|-----------|-----------|-------|-------|
| 1/1×15cm  | 53×32.5cm | 15cm  | 19.5L |
| 1/1×10cm  | 53×32.5cm | 10cm  | 13L   |
| 1/1×6.5cm | 53×32.5cm | 6.5cm | 8.5L  |



| MODEL NO    | STYLE NO     | SIZE (cm)<br>L x W x H | QTY / CTN | PRICE PER CTN |         |
|-------------|--------------|------------------------|-----------|---------------|---------|
|             |              |                        |           | 20.CTN        | 200.CTN |
| ASC - 014 A | PHOTO SAMPLE |                        | 30 ~ 50   |               |         |

**ASC - 014 B** STAINLESS PANS & LIDS

| ITEM      | W x L       | H     | Liter |
|-----------|-------------|-------|-------|
| 1/2×15cm  | 32.5×26.5cm | 15cm  | 9L    |
| 1/2×10cm  | 32.5×26.5cm | 10cm  | 6L    |
| 1/2×6.5cm | 32.5×26.5cm | 6.5cm | 4L    |



| MODEL NO    | STYLE NO     | SIZE (cm)<br>L x W x H | QTY / CTN | PRICE PER CTN |         |
|-------------|--------------|------------------------|-----------|---------------|---------|
|             |              |                        |           | 20.CTN        | 200.CTN |
| ASC - 014 B | PHOTO SAMPLE |                        | 50 ~ 70   |               |         |

**ASC - 014 C** STAINLESS PANS & LIDS

| ITEM      | W x L       | H     | Liter |
|-----------|-------------|-------|-------|
| 1/3×15cm  | 32.5×17.5cm | 15cm  | 5.3L  |
| 1/3×10cm  | 32.5×17.5cm | 10cm  | 3.6L  |
| 1/3×6.5cm | 32.5×17.5cm | 6.5cm | 2.4L  |



| MODEL NO    | STYLE NO     | SIZE (cm)<br>L x W x H | QTY / CTN | PRICE PER CTN |         |
|-------------|--------------|------------------------|-----------|---------------|---------|
|             |              |                        |           | 20.CTN        | 200.CTN |
| ASC - 014 C | PHOTO SAMPLE |                        | 60 ~ 90   |               |         |

**ASC - 014 D** STAINLESS PANS & LIDS

| ITEM      | W x L       | H     | Liter |
|-----------|-------------|-------|-------|
| 1/4×15cm  | 26.5×16.5cm | 15cm  | 3.8L  |
| 1/4×10cm  | 26.5×16.5cm | 10cm  | 2.5L  |
| 1/4×6.5cm | 26.5×16.5cm | 6.5cm | 1.7L  |



| MODEL NO    | STYLE NO     | SIZE (cm)<br>L x W x H | QTY / CTN | PRICE PER CTN |         |
|-------------|--------------|------------------------|-----------|---------------|---------|
|             |              |                        |           | 20.CTN        | 200.CTN |
| ASC - 014 D | PHOTO SAMPLE |                        | 60 ~ 100  |               |         |

**ASC - 014 E** STAINLESS PANS & LIDS

| ITEM      | W x L       | H     | Liter |
|-----------|-------------|-------|-------|
| 1/6×15cm  | 17.5×16.5cm | 15cm  | 2.2L  |
| 1/6×10cm  | 17.5×16.5cm | 10cm  | 1.5L  |
| 1/6×6.5cm | 17.5×16.5cm | 6.5cm | 1L    |



| MODEL NO    | STYLE NO     | SIZE (cm)<br>L x W x H | QTY / CTN | PRICE PER CTN |         |
|-------------|--------------|------------------------|-----------|---------------|---------|
|             |              |                        |           | 20.CTN        | 200.CTN |
| ASC - 014 E | PHOTO SAMPLE |                        | 60 ~ 100  |               |         |

**ASC - 014 F** STAINLESS PANS & LIDS

| ITEM      | W x L     | H     | Liter |
|-----------|-----------|-------|-------|
| 1/9×15cm  | 17.5×11cm | 15cm  | 1.5L  |
| 1/9×10cm  | 17.5×11cm | 10cm  | 0.9L  |
| 1/9×6.5cm | 17.5×11cm | 6.5cm | 0.55L |



| MODEL NO    | STYLE NO     | SIZE (cm)<br>L x W x H | QTY / CTN | PRICE PER CTN |         |
|-------------|--------------|------------------------|-----------|---------------|---------|
|             |              |                        |           | 20.CTN        | 200.CTN |
| ASC - 014 F | PHOTO SAMPLE |                        | 60 ~ 100  |               |         |

**ASC - 015**

STAINLESS PANS

| W      | L      | H     | Weight |
|--------|--------|-------|--------|
| 22cm   | 13.5cm | 1.5cm | 84g    |
| 25.5cm | 16cm   | 1.5cm | 117g   |
| 31cm   | 20cm   | 1.5cm | 243g   |
| 34cm   | 23.5cm | 1.5cm | 301g   |
| 39cm   | 28cm   | 1.5cm | 367g   |
| 44cm   | 28.5cm | 1.5cm | 483g   |
| 53cm   | 32.5cm | 1.5cm | 646g   |



| MODEL NO  | STYLE NO     | SIZE (cm)<br>L x W x H | QTY / CTN | PRICE PER CTN |         |
|-----------|--------------|------------------------|-----------|---------------|---------|
|           |              |                        |           | 20.CTN        | 200.CTN |
| ASC - 015 | PHOTO SAMPLE |                        | 60 ~ 100  |               |         |

**ASC - 016**

STAINLESS PANS & LIDS



| MODEL NO  | STYLE NO        | SIZE (cm)<br>L x W x H | QTY / CTN | PRICE PER CTN |         |
|-----------|-----------------|------------------------|-----------|---------------|---------|
|           |                 |                        |           | 20.CTN        | 200.CTN |
| ASC - 016 | <b>BIG SIZE</b> |                        |           |               |         |

**ASC - 017**

STAINLESS PANS & LIDS



| MODEL NO  | STYLE NO     | SIZE (cm)<br>L x W x H | QTY / CTN | PRICE PER CTN |         |
|-----------|--------------|------------------------|-----------|---------------|---------|
|           |              |                        |           | 20.CTN        | 200.CTN |
| ASC - 017 | PHOTO SAMPLE |                        | 50 ~ 200  |               |         |

**ASC - 018**

STAINLESS PANS



| MODEL NO  | STYLE NO     | SIZE ( cm )<br>L x W x H | QTY / CTN | PRICE PER CTN |         |
|-----------|--------------|--------------------------|-----------|---------------|---------|
|           |              |                          |           | 20.CTN        | 200.CTN |
| ASC - 018 | PHOTO SAMPLE |                          | 60 ~ 100  |               |         |

**ASC - 019**

STAINLESS PANS



| MODEL NO  | STYLE NO     | SIZE ( cm )<br>L x W x H | QTY / CTN | PRICE PER CTN |         |
|-----------|--------------|--------------------------|-----------|---------------|---------|
|           |              |                          |           | 20.CTN        | 200.CTN |
| ASC - 019 | PHOTO SAMPLE |                          | 50 ~ 80   |               |         |

**ASC - 020**

STAINLESS PANS

| W x L | H       | WT   |
|-------|---------|------|
| 14cm  | 2. 15cm | 70g  |
| 16cm  | 2. 45cm | 82g  |
| 18cm  | 2. 55cm | 110g |
| 20cm  | 2. 60cm | 142g |
| 22cm  | 3cm     | 173g |
| 24cm  | 3. 15cm | 210g |
| 26cm  | 3. 20cm | 248g |
| 28cm  | 3. 45cm | 285g |



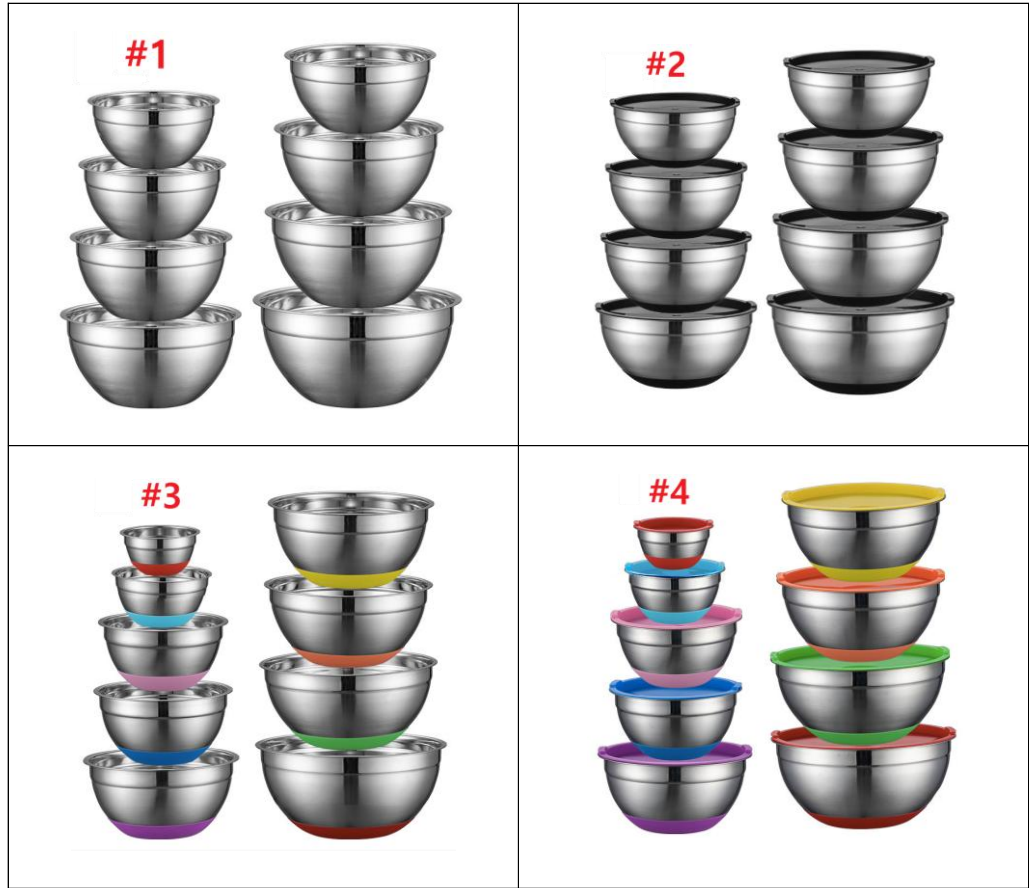
| MODEL NO  | STYLE NO     | SIZE ( cm )<br>L x W x H | QTY / CTN | PRICE PER CTN |         |
|-----------|--------------|--------------------------|-----------|---------------|---------|
|           |              |                          |           | 20.CTN        | 200.CTN |
| ASC - 020 | PHOTO SAMPLE |                          | 60 ~ 120  |               |         |

**ASC - 021**

**STAINLESS PANS & LIDS**



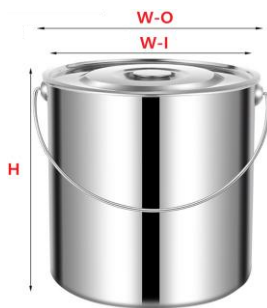
| R-1  | H      | R-2    |
|------|--------|--------|
| 14cm | 7cm    | 6cm    |
| 16cm | 8cm    | 7cm    |
| 18cm | 9cm    | 8cm    |
| 20cm | 10cm   | 9cm    |
| 22cm | 10.5cm | 10cm   |
| 24cm | 11.5cm | 11.5cm |
| 26cm | 12cm   | 11.5cm |
| 28cm | 12.5cm | 12.5cm |
| 30cm | 13.5cm | 13.5cm |



| MODEL NO  | STYLE NO     | SIZE (cm)<br>L x W x H | QTY / CTN | PRICE PER CTN |         |
|-----------|--------------|------------------------|-----------|---------------|---------|
|           |              |                        |           | 20.CTN        | 200.CTN |
| ASC - 021 | PHOTO SAMPLE |                        | 50 ~ 100  |               |         |

**ASC - 022**

**STAINLESS PANS & LIDS**



| ITEM | W-O  | W-I  | H    | W'T  |
|------|------|------|------|------|
| 20CM | 21CM | 20CM | 20CM | 0.70 |
| 25CM | 26CM | 25CM | 25CM | 0.95 |
| 30CM | 31CM | 30CM | 30CM | 1.30 |
| 35CM | 36CM | 35CM | 35CM | 2.10 |



| MODEL NO  | STYLE NO     | SIZE (cm)<br>L x W x H | QTY / CTN | PRICE PER CTN |         |
|-----------|--------------|------------------------|-----------|---------------|---------|
|           |              |                        |           | 20.CTN        | 200.CTN |
| ASC - 022 | PHOTO SAMPLE |                        | 10 ~ 16   |               |         |

**ASC - 023**

**STAINLESS BUFFET INSULATED STOVE**



| MODEL NO  | STYLE NO     | SIZE (cm)<br>L x W x H | QTY / CTN | PRICE PER CTN |         |
|-----------|--------------|------------------------|-----------|---------------|---------|
|           |              |                        |           | 20.CTN        | 200.CTN |
| ASC - 023 | PHOTO SAMPLE |                        | 4 ~ 6     |               |         |

**ASC - 024**

**STAINLESS BUFFET INSULATED STOVE**



| MODEL NO  | STYLE NO     | SIZE (cm)<br>L x W x H | QTY / CTN | PRICE PER CTN |         |
|-----------|--------------|------------------------|-----------|---------------|---------|
|           |              |                        |           | 20.CTN        | 200.CTN |
| ASC - 024 | PHOTO SAMPLE |                        | 4 ~ 6     |               |         |

**ASC - 025**

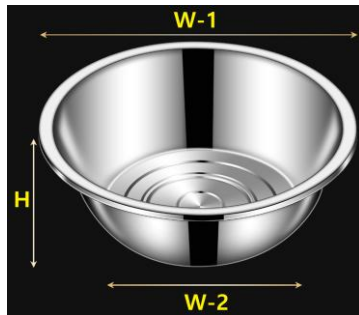
**STAINLESS PANS & LIDS**



| MODEL NO  | STYLE NO     | SIZE ( cm )<br>L x W x H | QTY / CTN | PRICE PER CTN |         |
|-----------|--------------|--------------------------|-----------|---------------|---------|
|           |              |                          |           | 20.CTN        | 200.CTN |
| ASC - 025 | PHOTO SAMPLE |                          | 40        |               |         |

**ASC - 026**

**STAINLESS PANS & LIDS**



| ITEM  | W-1   | W-2    | H      | Liter |
|-------|-------|--------|--------|-------|
| 45cm  | 45cm  | 29cm   | 15.5cm | 15L   |
| 50cm  | 50cm  | 33cm   | 17.5cm | 21L   |
| 55cm  | 55cm  | 37cm   | 18.2cm | 27L   |
| 60cm  | 60cm  | 41cm   | 19.6cm | 36L   |
| 65cm  | 65cm  | 45cm   | 21cm   | 46L   |
| 70cm  | 70cm  | 49.5cm | 21cm   | 56L   |
| 80cm  | 80cm  | 57.5cm | 25cm   | 84L   |
| 90cm  | 90cm  | 65.5cm | 26.8cm | 114L  |
| 100cm | 100cm | 72cm   | 27.5cm | 150L  |



| MODEL NO  | STYLE NO     | SIZE ( cm )<br>L x W x H | QTY / CTN | PRICE PER CTN |         |
|-----------|--------------|--------------------------|-----------|---------------|---------|
|           |              |                          |           | 20.CTN        | 200.CTN |
| ASC - 026 | PHOTO SAMPLE |                          | 18        |               |         |

**ASC - 027**

**STAINLESS PANS & LIDS**



| NO  | SIZE  | H    | Liter |
|-----|-------|------|-------|
| 304 | 20×20 | 20cm | 6L    |
|     | 25×25 | 25cm | 10L   |
|     | 30×30 | 30cm | 20L   |
|     | 35×35 | 35cm | 35L   |
| 201 | 20×20 | 20cm | 6L    |
|     | 25×25 | 25cm | 10L   |
|     | 30×30 | 30cm | 20L   |
|     | 35×35 | 35cm | 35L   |



| NO  | SIZE  | H    | Liter |
|-----|-------|------|-------|
| 304 | 20×20 | 20cm | 6L    |
|     | 25×25 | 25cm | 10L   |
|     | 30×30 | 30cm | 20L   |
|     | 35×35 | 35cm | 35L   |
| 201 | 16×17 | 17cm | 5L    |
|     | 20×22 | 22cm | 7L    |
|     | 22×22 | 22cm | 9L    |
|     | 25×25 | 25cm | 11L   |
|     | 20×40 | 40cm | 13L   |
|     | 22×40 | 40cm | 15L   |
|     | 25×40 | 40cm | 19L   |
|     | 30×32 | 32cm | 22L   |
|     | 35×37 | 37cm | 35L   |

| MODEL NO  | STYLE NO     | SIZE ( cm )<br>L x W x H | QTY / CTN | PRICE PER CTN |         |
|-----------|--------------|--------------------------|-----------|---------------|---------|
|           |              |                          |           | 20.CTN        | 200.CTN |
| ASC - 027 | PHOTO SAMPLE |                          | 8 ~ 18    |               |         |

ASC - 028

STAINLESS SOUP SPOON

**#A**

| ITEM | W-1  | W-2  | H     | ML     | L    |
|------|------|------|-------|--------|------|
| 12CM | 12CM | 10CM | 8.5CM | 450ML  | 20CM |
| 14CM | 14CM | 10CM | 8.5CM | 800ML  | 20CM |
| 16CM | 16CM | 10CM | 8.5CM | 1300ML | 20CM |
| 18CM | 18CM | 10CM | 8.5CM | 1700ML | 20CM |

**#B**

| ITEM | W-1  | W-2  | H     | ML     | L    |
|------|------|------|-------|--------|------|
| 14CM | 14CM | 14CM | 7CM   | 1000ML | 20CM |
| 16CM | 16CM | 16CM | 7.5CM | 1500ML | 20CM |
| 18CM | 18CM | 18CM | 8CM   | 2000ML | 20CM |
| 20CM | 20CM | 20CM | 8.3CM | 2500ML | 20CM |

**#C-1**

| ITEM | W-1  | W-2    | H     | ML     |
|------|------|--------|-------|--------|
| 12CM | 12CM | 7CM    | 6.5CM | 450ML  |
| 14CM | 14CM | 8.5CM  | 7.8CM | 800ML  |
| 16CM | 16CM | 10CM   | 8.7CM | 1300ML |
| 18CM | 18CM | 11.5CM | 9.5CM | 1700ML |
| 20CM | 20CM | 11.5CM | 9.5CM | 2000ML |

L 25/33/45/65CM

**#C-2**

| ITEM | W-1  | W-2    | H     | ML     | L    |
|------|------|--------|-------|--------|------|
| 14CM | 14CM | 8.5CM  | 7.8CM | 800ML  | 45CM |
| 16CM | 16CM | 10CM   | 8.7CM | 1300ML | 45CM |
| 18CM | 18CM | 11.5CM | 9.5CM | 1700ML | 45CM |

**#C**

| MODEL NO  | STYLE NO     | SIZE ( cm )<br>L x W x H | QTY / CTN | PRICE PER CTN |         |
|-----------|--------------|--------------------------|-----------|---------------|---------|
|           |              |                          |           | 20.CTN        | 200.CTN |
| ASC - 028 | PHOTO SAMPLE |                          | 36 ~ 48   |               |         |

ASC - 029

STAINLESS OIL DRUM LEAK SPOON



| MODEL NO  | SIZE ( cm )<br>Diameter       | QTY / CTN | PRICE PER CTN |         |
|-----------|-------------------------------|-----------|---------------|---------|
|           |                               |           | 20.CTN        | 200.CTN |
| ASC - 029 | 22 / 24 / 26 / 28 / 30 ( cm ) | 36 ~ 48   |               |         |

**ASC - 030**

**STAINLESS MULTIFUNCTIONAL PANS**



| MODEL NO  | STYLE NO     | SIZE (cm)<br>L x W x H | QTY / CTN | PRICE PER CTN |         |
|-----------|--------------|------------------------|-----------|---------------|---------|
|           |              |                        |           | 20.CTN        | 200.CTN |
| ASC - 030 | PHOTO SAMPLE |                        | 12        |               |         |

**ASC - 031**

**STAINLESS MULTI-PURPOSE FOOD SHOVEL**



| MODEL NO  | STYLE NO         | SIZE (cm)<br>L x W x H | QTY / CTN | PRICE PER CTN |         |
|-----------|------------------|------------------------|-----------|---------------|---------|
|           |                  |                        |           | 20.CTN        | 200.CTN |
| ASC - 031 | 3.STYLE / 6.SIZE |                        | 96 ~ 120  |               |         |

**ASC - 032**

**STAINLESS PANS & LIDS**



| MODEL NO  | STYLE NO     | SIZE (cm)<br>L x W x H | QTY / CTN | PRICE PER CTN |         |
|-----------|--------------|------------------------|-----------|---------------|---------|
|           |              |                        |           | 20.CTN        | 200.CTN |
| ASC - 032 | PHOTO SAMPLE |                        | 12 ~ 24   |               |         |